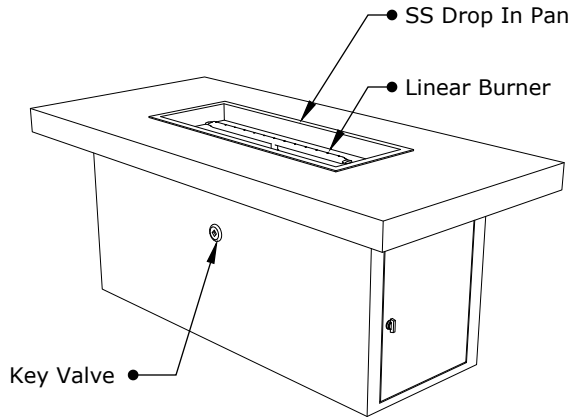
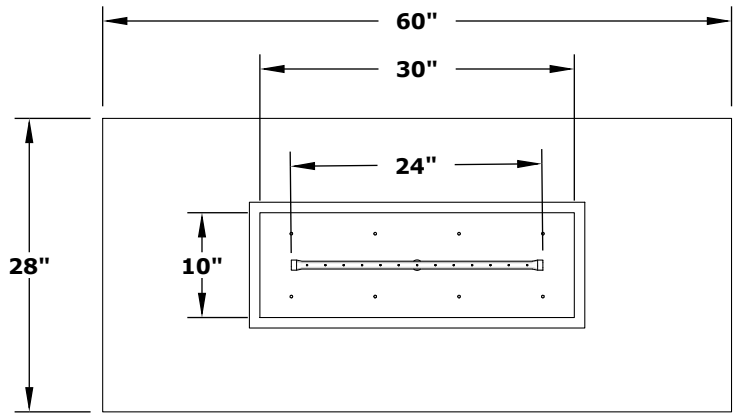


GROVE FIRE PIT

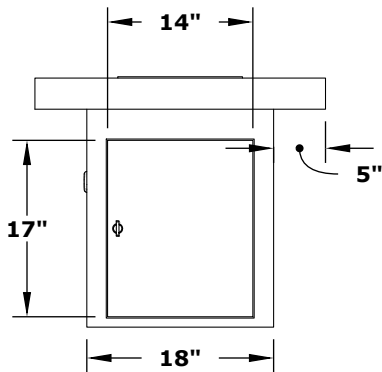
OPT-GRVWG60 - Wood Grain Concrete
 OPT-GRVFS60 - Flag Stone Concrete



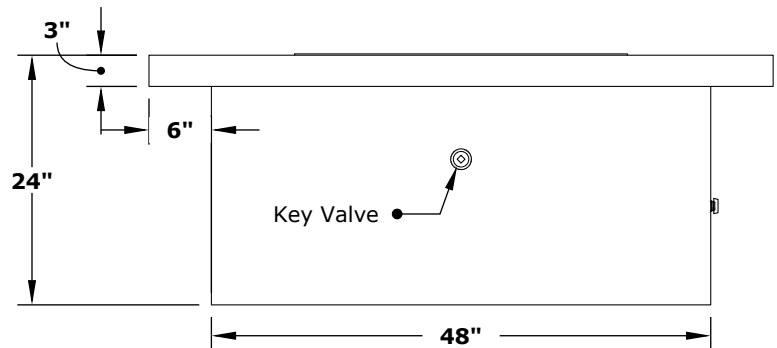
ISOMETRIC VIEW



TOP VIEW



RIGHT SIDE VIEW



FRONT SIDE VIEW

Includes: Pan, Burner, Key Valve, Whistle Free Hoses, Black Lava Rock.

Fire Pit Material: GFRC Concrete
 Pan Material: 304 Stainless Steel
 Burner Material: 304 Stainless Steel
 BTU: 40,000
 Standard 1" Flange on all pans
 Standard 2" Depth on all pans

12V ELECTRONIC IGNITION
 ANSI Z21.97-(2017) / CSA 2.41-(2017)

